

Technical data sheet



Product features

Gas stock pot stove 9,5 kW

Model	SAP Code	00000803
--------------	-----------------	----------

– Device type: Gas unit

SAP Code	00000803	Net Weight [kg]	8.00
Net Width [mm]	470	Power electric [kW]	9.500
Net Depth [mm]	570	Power gas [kW]	9.500
Net Height [mm]	225	Type of gas	Propane butane, natural gas

Technical data sheet



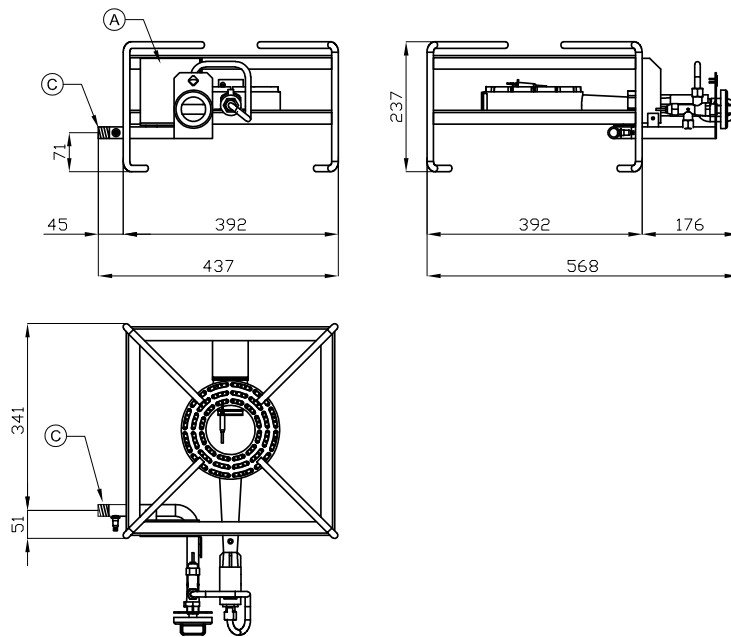
Technical drawing

Gas stock pot stove 9,5 kW

Model

SAP Code

00000803



A	Data plate		C	Gas connection	ISO 7-1 1/2" M
---	------------	--	---	----------------	----------------

Technical data sheet



Product benefits

Gas stock pot stove 9,5 kW

Model

SAP Code

00000803

1

All-stainless design

only stainless steel intended for food contact is used

- absolutely rust-proof and non-magnetic design
- resists even weak acids easier compliance with hygiene standards (HACCP); easy maintenance and cleaning

2

Power 9.5 kW

high performance

- fast heat treatment

3

Propane butane nozzles + natural gas nozzles

delivered in the form of propane butane + natural gas nozzles

- universal use thanks to both connection nozzles

Technical data sheet



Technical parameters

Gas stock pot stove 9,5 kW

Model

SAP Code

00000803

1. SAP Code:

00000803

2. Net Width [mm]:

470

3. Net Depth [mm]:

570

4. Net Height [mm]:

225

5. Net Weight [kg]:

8.00

6. Gross Width [mm]:

630

7. Gross depth [mm]:

550

8. Gross Height [mm]:

390

9. Gross Weight [kg]:

10.00

10. Device type:

Gas unit

11. Power electric [kW]:

9.500

12. Power gas [kW]:

9.500

13. Type of gas:

Propane butane, natural gas

14. Adjustable feet:

No

15. Number of burners/hot plates:

1

16. Type of electric cooking zones:

Oval